

## Side lighting Injection Module

ID: 1029737



### Areas of application

- Signage and illuminated advertising.
- Best for 120~180mm depth double side light boxes.
- Permanent outdoor use in enclosed light boxes.

### Product features

- Chain of 30 LED modules with single LED each.
- High efficiency LED.
- High color consistency (MacAdam 4).
- Beam characteristic: 18 x 50°.
- Protection class of LED module: IP66.
- Flexible chain, can be split between any module.
- Mounting with screw or premounted double-sided adhesive tape possible.
- Fully integrated heat sink.
- Nominal life-time up to 50,000 h (at tc 50°C).
- Module size: 45 x 25.4 x 11.8 mm.

### Application data

Module number per Chain	30 pcs
Max. module number per Chain	30 pcs
Distance of modules (wire)	150 mm
Ambient temperature ta	-25 ~ +50 °C
Max. temperature on module tc	65 °C
Storage temperature ts	-40 ~ +85 °C
Risk group (EN 62471:2008)	1
Certification list	CE/ENEC/RoHS

### Technical data

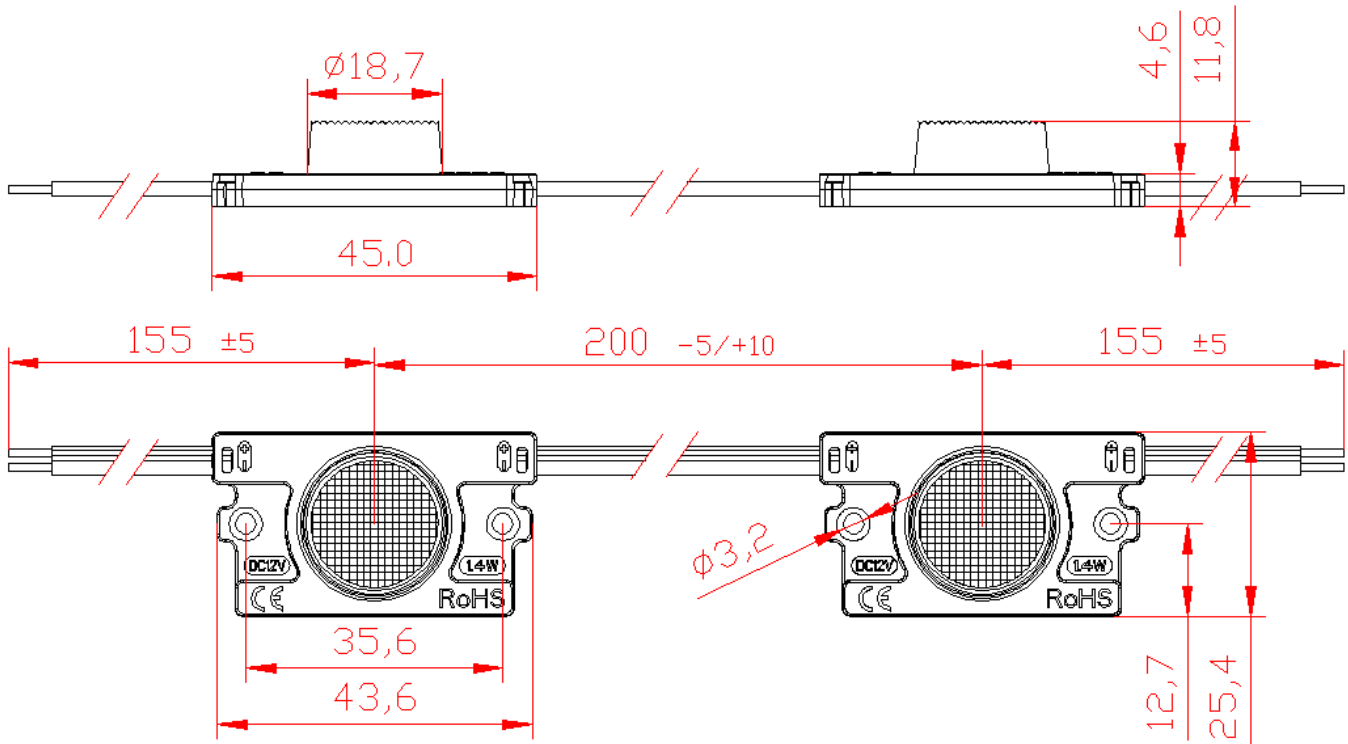
Product ID	Nominal voltage <sup>③</sup>	Color temperature or Wavelength <sup>①②</sup>	CRI <sup>①②</sup>	Typ. Flux per module <sup>①②</sup>	Typ. Power per module <sup>①②</sup>	Luminous efficacy
<b>1029737</b>	12.0 V	6000~7000 K	>70	130 lm	1.4 W	92.7 lm/W

① Tolerance range for optical and electrical data: -15/+15 %.

② All value @ ta=25°C.

③ Tolerance range for the supply voltage: 12 V: ±5 %

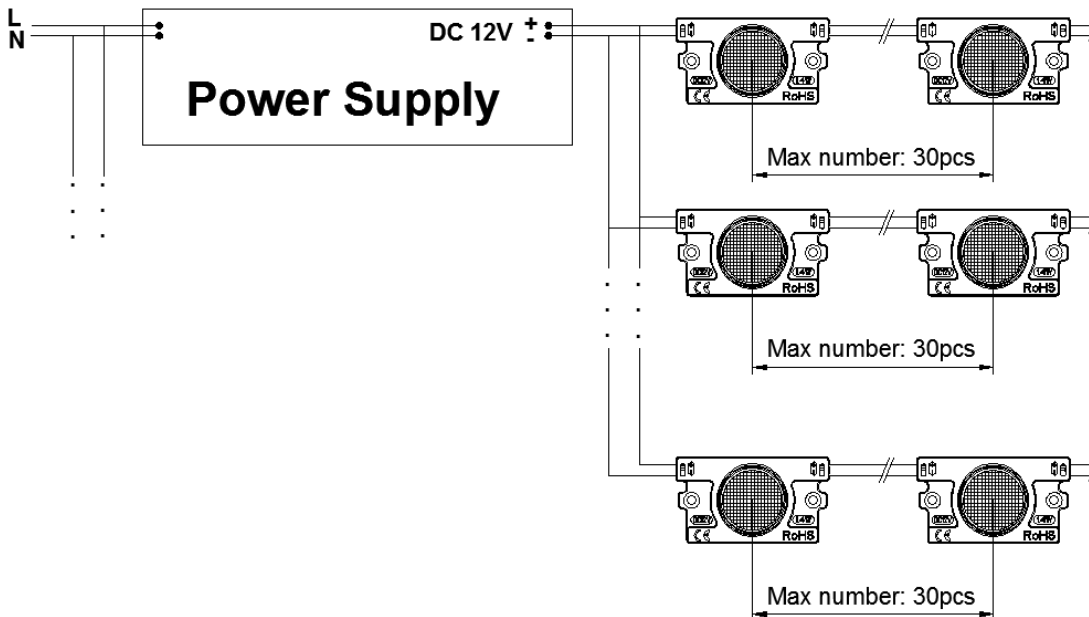
## Product 2D drawing (unit: mm)



## Wiring type

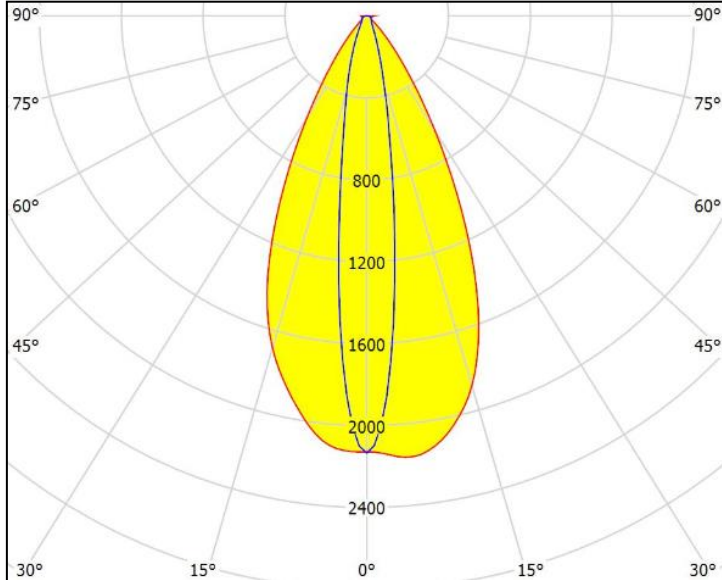
Cable	UL 1007 20AWG	
Color	red - white	white
Function	+	-

## Wiring example:



## Light distribution

### Beam characteristics 18 x 50°

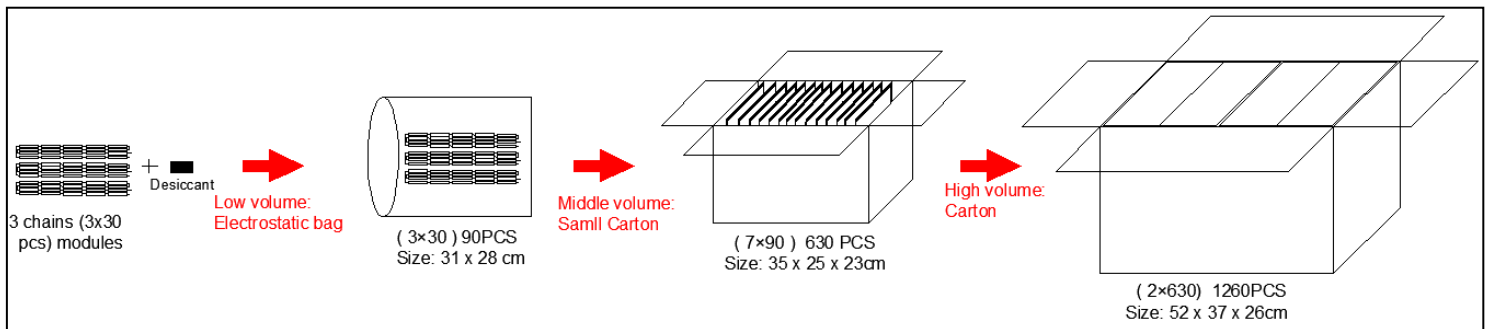


## Packaging information

Product ID	Weight per pc.①	Packaging, low volume		Packaging, high volume	
1029737	10.0 g	90 pc(s).	0.9 kg	1260 pc(s).	14.6 kg

① Tolerance range for weight:  $\pm 10\%$ .

### Packaging example:



## Noted:

- The power cable should meet the actual maximum current and power.
- All the end point of wire should be treated with waterproof;
- Pay attention to the maximum number of connections, prohibit overloading.
- All the power supply must has the corresponding certification.
- Our company reserves the right of final interpretation.
- Subject to change without notice.